

Sportster XL 24V



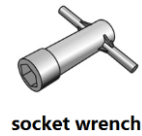
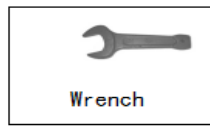
- ◆ Please read the manual carefully before assembling.
- ◆ Preserve the manual properly for future reference.
- ◆ The manual is for assembling and using reference only. Details will be possibly improved and changed, including structure, appearance, packing, functions etc. Please take the actual product as standard if something different from the manual.

1. Before Assembling

Warning!

- Choking Hazard: Small parts, not for kids under 6 years.
- Dispose plastic bags carefully. It's dangerous to kids.
- Adult assembly required. Use care when unpacking as components to be assembled may pose small parts/sharp edge hazard.
- Check if the charger is in good state, including the wire, socket, and all details. Stop use it if it looks broken in some way, till it's fixed.

It requires about 30 minutes to assemble this ride on. Tools required:



2. Specifications:

Motor: 180W brushless

Battery: 24V7ah * 1

Fuse: 17A

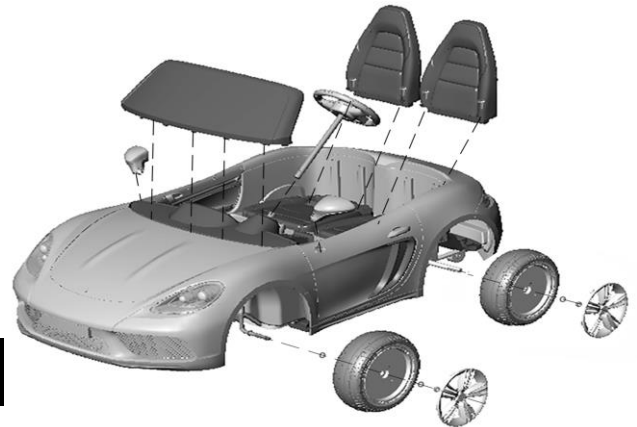
Charger: 24V1000MA

Max Speed: 13-15.5 km/h

Suitable Age: 6 years+

Maximum Loading Capacity: 100 kg

Item size: 1720×105×655 MM



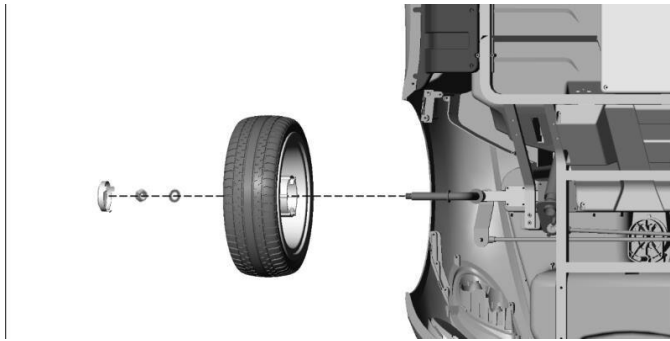
3. Exploded View & Parts List

No.	Parts Name	Qty (p)	Note
1	Body	1	
2	Steer Wheel	1	
3	Rear view mirror	2	Left & right
4	windshield	1	
5	Front wheel	2	
6	Driving wheel	2	
7	Wheel cover	4	
8	Charger	1	
9	Seats	2	
10	Screw kit	1	
11	manual	1	

Note: some parts need to be fixed from 2 sides.

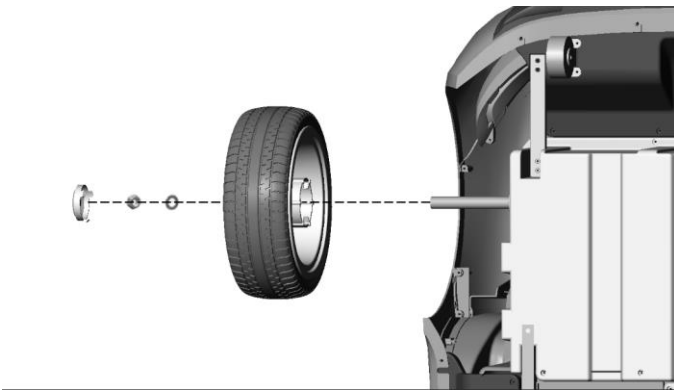
Screw Kit		
A	Allen Key	1
B	Wrench	1
C	4x12 flat head screw	4

4. Front Wheel Assembling



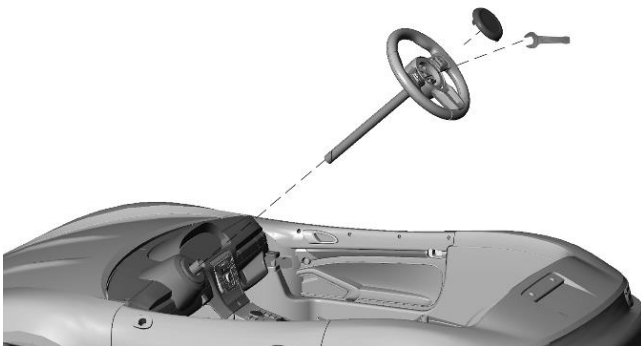
Fix the front wheel onto the axle and tighten the screws. (left & right)

5. Rear Wheel Assembling



Fix onto the rear axle and assemble the wheels with tightening screws from both sides.

6. Steering wheel Assembling



Install the steering pole after fixing the steering wheel.

Adjust the height of the steering pole and tighten the screws to lock it.

Put the steer wheel cover onto the wheel and press it to be locked.

7. Rear View Mirrors, Windshield, and Seat Assembling

A. Insert the rear view mirrors onto the car and press it till its locked



B. Put the windshield onto right buckle hole, press it heavily till locked.



C. Put the seats onto right position and fix them by screws.



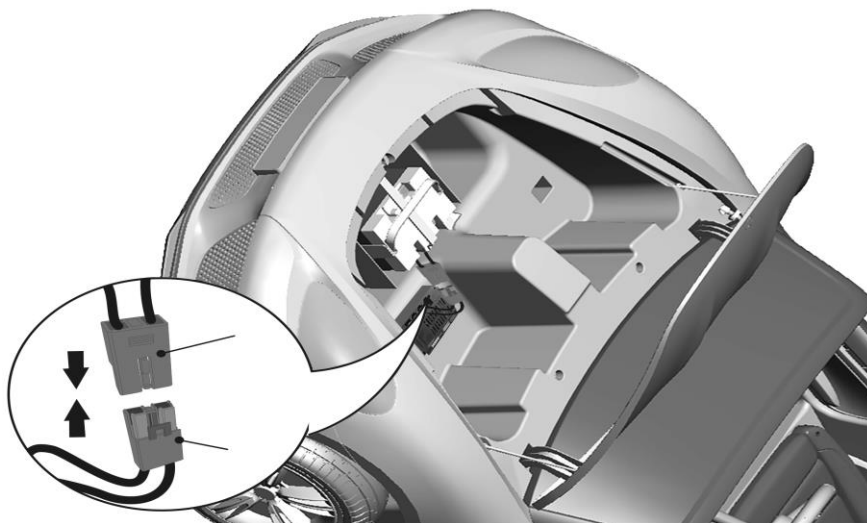
8. Hood Open & close, Battery Connecting



A. The hood could be opened and closed by a wrench or key of the car.

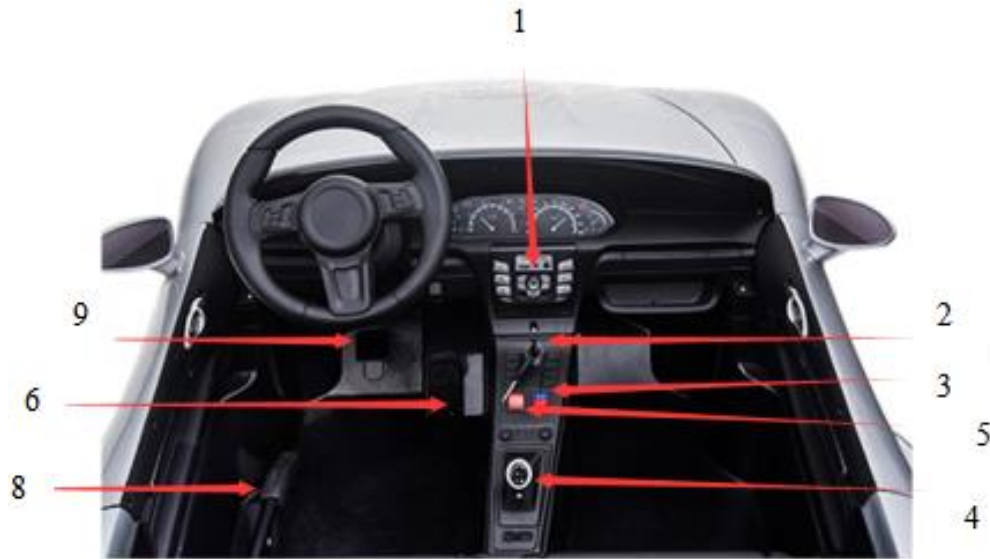


B. Hold the hood by supporting poles.



C. Connect the battery terminals with right colors accordingly.

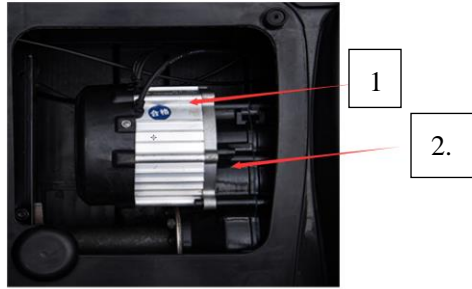
9. Functions Sketch A



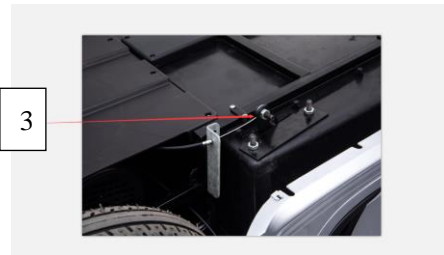
1. Central Multifunctional Panel: see point 11.
2. Power Switch: Switch On/off the ride on
3. Speed Switch: switch to shift speed
4. Drive/reverse switch: switch to drive-neutral-reverse,
5. Light Switch: switch on/off the car light
6. Pedal switch: pedal the switch to move, release to stop gradually.
7. Door switch: Switch to lock/open the door
8. Hand brake: hand braking the car when parking
9. Pedal brake: pedal braking the car when parking



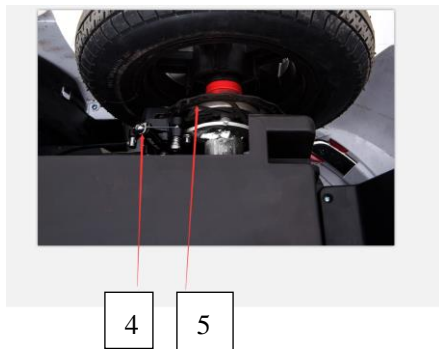
10. Functions Sketch B:



- 1. Brush-less motor
- 2. Differential equipment

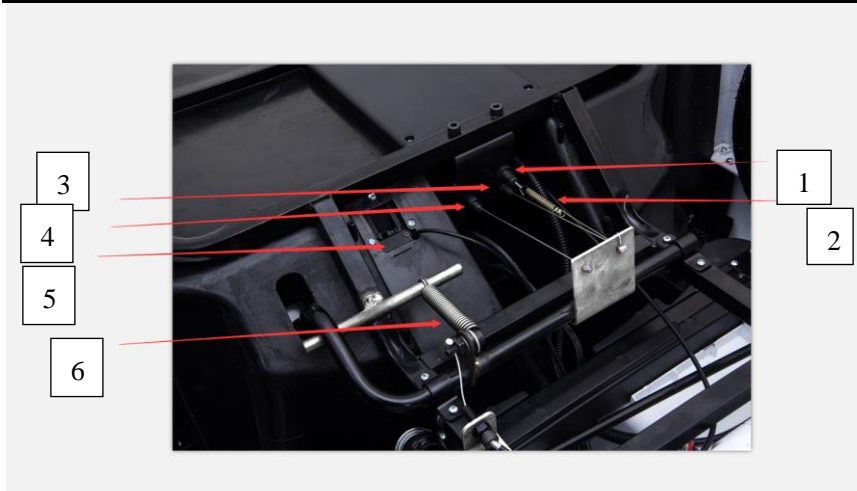


- 3. Hand brake cable



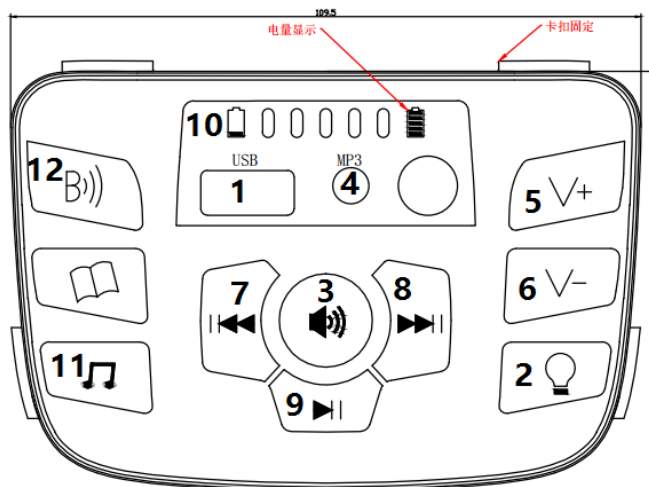
- 4. Brake
- 5. Brake disc

11. Functions Sketch C:



- 1. Power off Switch
- 2. Power off Switch sprint
- 3. Left brake adjustment
- 4. right brake adjustment
- 5. Holzer pedal Switch
- 6. pedal brake back moving spring

12. Central Multifunctional panel:



1. USB port
2. Light (no this function)
3. horn
4. MP3 port
5. VOL up
6. VOL down
7. PREV
8. NEXT
9. PLAY/PAUSE
10. Power volume display
11. Music
12. Bluetooth

13. Warnings & Safety Alert:

Warning!

- Choking Hazard: Small parts, not for kids under 6 years.
- Dispose plastic bags carefully. It's dangerous to kids.
- Adult assembly required. Use care when unpacking as components to be assembled may pose small parts/sharp edge hazard.
- Check if the charger is in good state, including the wire, socket, and all details. Stop use it if it looks broken in some way, till it's fixed.

Don't drive in below areas:

1. Glass, by the river, not flat road, and slope area.
2. Public road and other vehicles and walking people areas.
3. Where it's possible to hit or hit the other things.
4. Other not safe areas.
5. Don't drive in dark evening and night.
6. Don't drive in rain or snow. Don't drive if age or weight is not proper.



14. Special Notes before Charging:

Charging must be done by adult. Children are prohibited to touch charger and battery.

Warning!

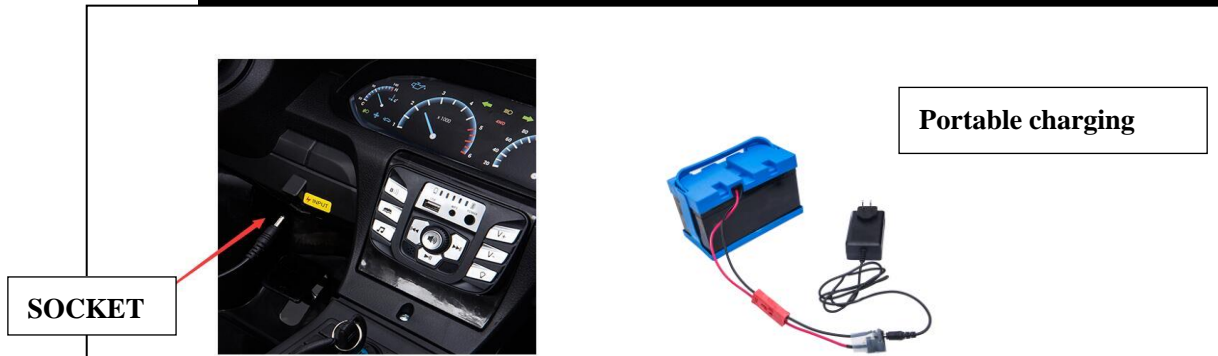
1. Only appointed battery and charger brand are allowed to use to the car.
2. Don't use the car's battery or charger to other products.
3. Don't change the structure or cable lines.
4. Don't connect the positive pole and negative pole by tools.
5. Always keep the battery dry.
6. Keep the battery away from fire or smoking, especially while charging.
7. Charge the car in dry and well-ventilated places.
8. Don't open the battery & charger.
9. Don't put the battery upside down.
10. Don't charge if something wrong with the charger.
11. Battery heats while charging but stop and check it if it's too hot.
12. Always keep the battery fastened well.
13. Keep it fully charge if not using, and 1 time per month.
14. Charger and battery are not toys. Keep them away from Children.

- Switch of the car while charging.
- Charge the car for 4-6 hours before 1st time using but no more than 10 hours
- Charge the car on time if the speed gets lower after using.
- Charge the car 8-12 hours every time after using but no more than 20 hours.

15. Warning on battery!

1. Don't change the structure and electric cables. Repairing must be by professional staff.
2. Don't use it in other functions.
3. Connect the battery in right order.
4. Don't connect battery in short circuit.
5. No charging battery can't be charged.
6. Charging must be arranged by adult, or by their guidance.
7. Don't mixed different types of battery in one car.
8. Get rid of used battery properly. It's not a toy.

16. Charging warnings:



- 1) Connect the charger to the socket directly, or take the battery for portable charging.
- 2) Put the charge plug into socket. Charging must be done by adult. Please read related notes for charging carefully.

17. Fuse Maintenance:

**Inspect the charger carefully regularly to check if everything is OK.
If there is somewhere with any problem, stop using it till repaired.**

Fuse: The car is with self-reset fuse. When it's over loaded or used improperly, the fuse will power off the car for 15-20 seconds, and then to reset it. It's installed under the seat.

To avoid related troubles from the fuse

- 2) Don't load over 30 kg
 - 3) Don't draft anything by the car.
 - 4) Don't spoil wires and electric parts with water or other liquids.
 - 5) Don't change the electric system and structure freely.
- Inspect the charger carefully regularly to check if everything is OK. If there is somewhere with any problem, stop using it till repaired.
 - Lubricate related metal parts by some lubricating oil after period using to avoid abrasion and rust.
 - The car should be placed away from fire and avoid long time strong sunshine. Don't turn upside and down and tilt. Place it indoor in wet weather or cover it with tarp.
 - The car should be kept away from hot objects such as oven or heater etc. to avoid hurting the plastic parts. Keep the car away from the easy inflammable items to avoid fire.
 - To maintain the battery, charge it every time after using; Charging must be fixed by adult; Always keep it fully charged before long time keep, and charge it 1 time a month is necessary for keeping.
 - Clean the car with dry textile. Don't use chemical liquids to clean. Don't use soap and water to clean. Don't drive the car in raining or snowing weather, which will hurt the motor, battery, and cables.
 - Power of the car if keep for long time keeping.
 - Use proper fuse accordingly to this car.
 - Don't change the cable lines and structures. Repairing must be arranged by professional staff.

18. Trouble Shooting

Troubles	Inspections	Solutions
Motor not rotating	<ol style="list-style-type: none"> 1. Check if fuse disconnected. 2. Check if pedal switch in poor contact. 3. Check if motor terminal welded. 4. Check if motor lead wires connected. 5. Connect motor & battery, check if OK. 	<p>Yes, restart the car. No, check the next.</p> <p>No, repair the contact. Yes, check the next.</p> <p>No, connect it. Yes, check the next.</p> <p>No, connect it. Yes, check the next.</p> <p>No, change the motor. yes, control board broken. Contact with the shop.</p>
Only forward or only reverse	<ol style="list-style-type: none"> 1. check if forward/reverse switch well connected. 2. Check if all cables are well connected. 	<p>No, change the switch. Yes, get to the next</p> <p>No, connect them. Yes, control board broken. Contact with the seller.</p>
Poor brake	<ol style="list-style-type: none"> 1. Check if brake cable loose. 2. Adjust the brake properly. 	<p>Yes, tighten the cable. No, get the next. Adjust brake cable as the manual.</p>
Poor brake power off function.	<ol style="list-style-type: none"> 1. Check if brake light works. 2. Check if brake power off switch broken 3. check if brake spring ok. 	<p>No, check the switch. Yes, change a new switch</p> <p>No, get the next. Yes, adjust the spring. No, contact with the seller.</p>
Ineffective charging	<ol style="list-style-type: none"> 1. Check if battery cable connected. 2. Check if charger get heated while charging. 	<p>Yes, connect them. No, get to the next.</p> <p>No, broken charger. Contact with the seller.</p>
No sound and light.	<ol style="list-style-type: none"> 1. Check if sound & light switch well connected. 2. Check if all cables well connected from the battery to other parts of the car. 	<p>No, change a new switch. Yes, check the next. No, reconnect them.</p>
Wheels no turning	<ol style="list-style-type: none"> 1. Check if the driver is over 100 KG. 2. Check if road is not flat. 3. Check if free wheel turning OK. 	<p>Yes, normal; No, get to next.</p> <p>Yes, normal, the car moves normal on flat road. No, get to next.</p> <p>No, the wheels and axles are OK.</p>
The car stops once a while	<ol style="list-style-type: none"> 1. check the battery voltage. 2. Check if the speed is faster if connect the motor to the battery directly? 	<p>No, charging; yes, get to the next.</p> <p>Yes, driving control board need to be repaired. Contact with the seller.</p>

 **WARNING:**

**DISPOSAL OF BATTERIES: CONTAINS SEALED LEAD ACID BATTERY.
BATTERY MUST BE RECYCLED.**

Dispose old batteries at an approved battery dumping station.

Contact your local environmental protection agency office for additional information.



WARNING!

Adult assembly required.

Use care when unpacking as components to be assembled may pose small parts/sharp edge hazard.

Never leave child unattended.

To reduce the risk of injury, adult supervision is required.

The ride on is unsuitable for children under 72 months due to its maximum speed;
Maximum user weight is 100kg.

Always sit on the seat.

Always wear shoes, and never allow more than 2 riders.

Protective equipment should be worn.

Never use in roadways, near motor vehicles, on or near steep inclines or steps, swimming pools or other bodies of water.

Direct adult supervision is required. Always keep child in vision when child in vehicles.