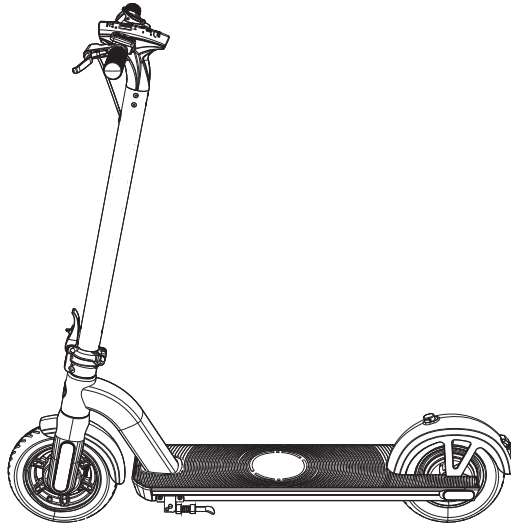


evobike LM500 PRO

User Manual



In order to continue serving our customers and providing the best products, our product information including our user manuals may receive updates from time to time. Please check our website for the latest user manuals and product materials. Rev. 2025-01-15a

TABLE OF CONTENTS

Section 1

GENERAL INFORMATION

1.1 Important Information	01
1.2 Safety Warnings	02
1.3 Disposal at End-of-Life	03

Section 2

PARTS & FEATURES

2.1 What's in the Box?	05
2.2 Evobike LM500 PRO Diagram	06
2.3 Display Information	07

Section 3

ASSEMBLY &

3.1 Assembling the Handlebars	09
3.2 Standing, Folding & Unfolding the Scooter	10
3.3 Tire Inflation	12

Section 4

Electronic Lock Function

4.1 Activate Your Electronic Lock	12
4.2 Set Your Own Password	13
4.3 Lock Alarm Function	13

4.4 Turn off the Electronic Lock Function	13
---	----

Section 5

CHARGING

5.1 Charge the LM500 PRO before using it	14
--	----

Section 6

USAGE

6.1 How to Ride	15
---------------------------	----

Section 7

MAINTENANCE

7.1 Cleaning	18
7.2 Storage	18
7.2 Transportation	18

Section 8

SPECIFICATIONS & BUTTON FUNCTIONS

8.1 Specifications	20
8.2 Button functions	21
8.3 Erro code	22

Section 9

WARRANTY	22
--------------------	----

Section 1

GENERAL INFORMATION

Before operating this scooter, please read all instructions carefully. This manual provides guidance on the functions, usage, and proper maintenance of your Electric Scooter.

If you have any questions or cannot find the information you need in this manual, please contact your place of purchase or our customer service team via email.

Before reaching out to customer service, ensure you have your purchase information, serial number readily available, as it may be required during your inquiry.

It is essential to follow all safety warnings provided in this manual and use sound judgment while operating your electric scooter. Make sure to read and understand this manual thoroughly before attempting to use your electric scooter.

1.1 Important Information

This electric scooter is a personal transportation device powered by electricity. By using the electric scooter, the rider acknowledges and accepts full responsibility for any risks associated with its operation. These risks may include, but are not limited to, muscle injuries, broken bones, lacerations, serious injuries, or even death.

To maximize your safety, ALWAYS WEAR APPROPRIATE PROTECTIVE GEAR and carefully read and follow all instructions and warnings provided in the User Manual.


 **Appropriate protective gear should include shoes, kneepads, elbow pads and an approved helmet.**

1.2 Safety Warnings


When reading this manual, note these icons:

 **Notes with this icon MUST be read, understood, and obeyed to prevent injury or damage, etc.**

 **Notes with this icon include relevant information.**

-  • **Do not expose the battery to fire, heat sources, or direct sunlight.**
- **Avoid operating or storing the scooter and/or battery in extreme temperatures. Excessive heat or cold may cause the battery to overheat, become damaged, or experience reduced performance and lifespan.**
- **Protect the battery from strong impacts or shocks.**
- **To prevent electric shock, keep water or liquids away from the scooter's electrical components. For cleaning, use a damp, non-abrasive cloth with water or mild cleaner.**
- **Do not submerge the scooter or its components in water.**
- **Do not disassemble or modify the battery. Any attempt to repair or alter the battery will void its warranty. Only authorized service centers may open and service the battery.**
- **When the device is used by children, caregivers should explain the user manual's content and supervise usage to ensure it follows the instructions.**
- **Stop using the battery immediately if it emits an unusual odor, feels excessively hot, changes shape or color, or exhibits any abnormal behavior during use, charging, or storage.**

If battery fluid leaks and comes into contact with the eyes, do not rub them. Rinse thoroughly with water and seek immediate medical attention.

-  • Use only the charger supplied with your scooter. If the charger is lost or misplaced, contact customer support for a replacement.
- Do not continue charging the battery if it fails to recharge within the specified charging time.
- Disconnect the scooter from the charger and contact customer service for assistance.
- Ensure the charging area is clean and dry at all times.
- Do not charge the scooter if the charging port is damp or contains any liquid.
- Avoid charging the battery in extremely hot or cold environments. Charging in extreme temperatures can cause overheating, damage, or reduced performance and lifespan.
- Do not use the device at elevations exceeding 2000 meters above sea level.
- Prolonged exposure to UV rays, rain, or other environmental elements can damage the scooter's materials. Store the scooter indoors when not in use.

 **WARNING- RISK OF FIRE - No user serviceable parts**

AVERTISSEMENT - Risque d'incendie - Aucune des pièces ne peut être réparée par l'utilisateur

1.3 Disposal at End-of-Life

This product must not be disposed of through incineration, landfilling, or by mixing it with household trash. Improper disposal of the battery contained within the product can lead to serious consequences, such as the battery heating up, rupturing, or igniting, which may cause severe injury. Additionally, the substances inside the battery pose significant chemical risks to the environment.

To properly dispose of an Electric Scooter at the end of its life, it is recommended to take the entire unit to an e-waste recycling center, program, or facility. Recycling and disposal regulations for lithium-ion batteries and products containing them vary depending on the country, state, and local government. It is essential to adhere to local laws and guidelines for the correct disposal and recycling of this product. You

You must check the laws and regulations specific to your location to ensure the proper disposal of the battery and/or unit. It is the user's responsibility to dispose of their waste equipment in accordance with local regulations and laws.

For further information about where to drop off your batteries and electrical or electronic waste, please contact your local or regional waste management office, your household waste disposal service, or your point-of-sale.

Section 2

PARTS & FEATURES

Please read the user manual in its entirety before using the scooter so that you may fully understand its parts and functions and be able to operate it safely.

2.1 What's in the Box?

- 1x Folding Electric Scooter
- 1x Charger(The type of plug varies by country.)
- 1x Allen wrench
- 1x Tire pump extender
- 1x User Manual
- 6x M5 Screws



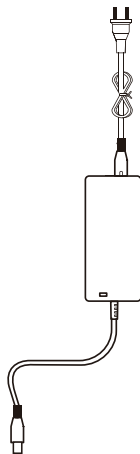
Screws



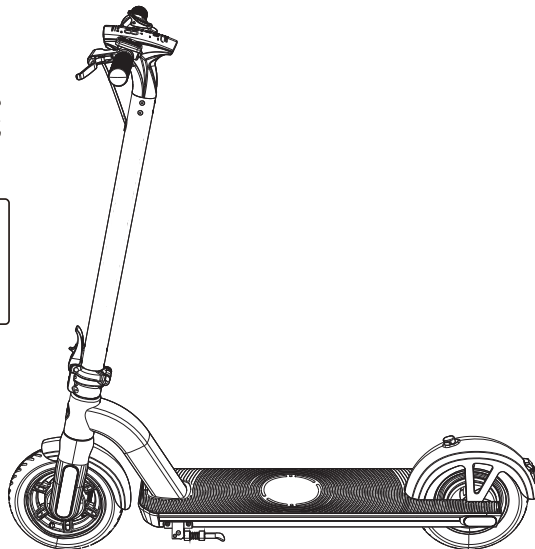
Allen wrench



Tire pump extender



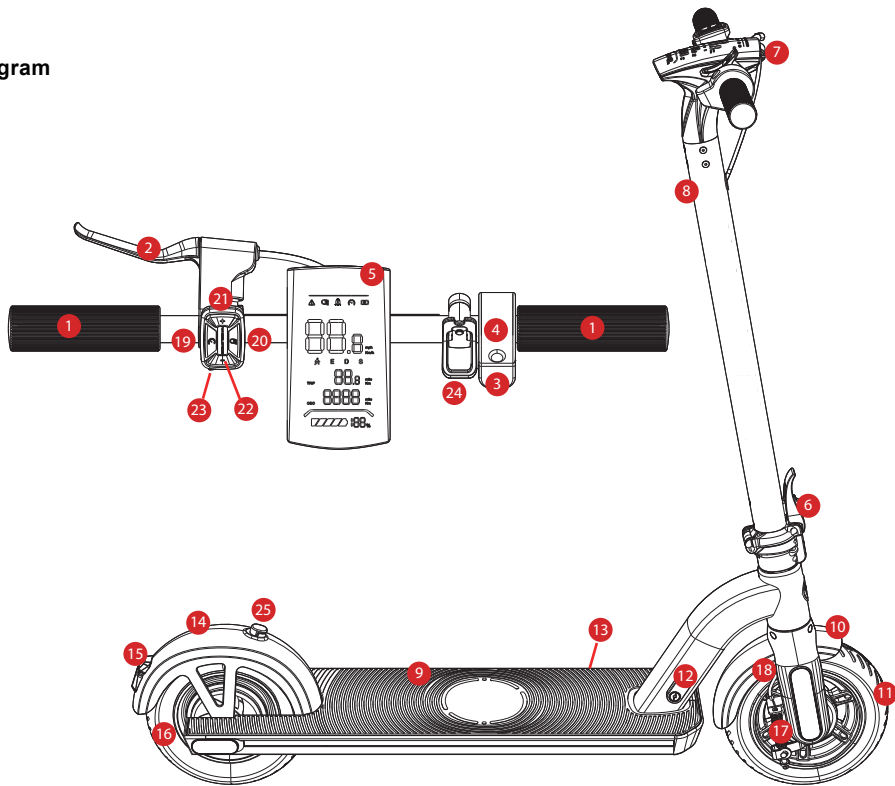
Charger



Folding Electric Scooter

2.2 Evobike LM500 PRO Diagram

1. Handle grip
2. Handbrake
3. Accelerator
4. Power Button
5. Display
6. Folding mechanism
7. Headlight
8. Stem
9. Deck
10. Front fender
11. Front Wheel
12. Charging Port
13. Kickstand
14. Rear fender
15. Taillight/Brake light
16. Rear Motor wheel
17. Drum brake
18. Brake cable
19. Cruise button
20. Headlight switch
21. Upshift button(+)
22. Downshift button(=)
23. Horn button
24. Handlebar Hook
25. Rear fender Hook

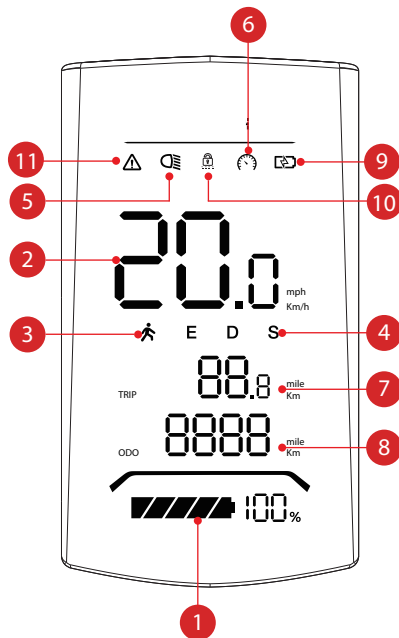


2.3 Display Information


The display features several different elements.

Be sure you understand these before attempting to ride. Short press the power button on the accelerator to turn the scooter on, and long press the power button 2 seconds to turn off.

1. **Battery Level Indicator** - This icon indicates how much battery life percentage you have left. As power goes down, the icon will indicate different levels.
2. **Speedometer** - These numbers indicate the current speed and will change when the electric scooter is in use. The default speed unit is MPH, quick press the power button 4 times to switch the speed unit between MPH and KM/H. The speed unit will be memorized until the next switch
3. **Pushing assist** - When you switch the scooter to Pushing assist mode, this icon will light up. The scooter will have a speed of 3MPH(5KM/H) to walk with your pushing. And when the scooter enters into the pushing assist mode, the headlight will light up.
4. **Gear** - This icon indicates the gear status. The scooter has 3 gears to switch. Press the upshift/downshift button to switch the gears from Pushing assist and E to S gear.
Gear E: 6KM/H
Gear D: 15KM/H
Gear S: 20KM/H



5. **Headlight** - Short press the headlight button to turn on/off the front light; Long press for 3 seconds to turn on/off the deck lights(left and right side), and the scooter will memory the status.
6. **Cruise** -Press the Cruise button to enter the cruise mode, the Cruise icon lights up, in the cruise mode, press the upshift or downshift button, the speed will change about ± 1 ; press the Accelerator/Handbrake/Cruise button to exit the Cruise mode.
7. **Trip** - This icon displays the current mileages of your scooter.When you powered off your scooter, this mileage will clear to 0.
8. **ODO** - This icon displays the total mileages of your scooter. After powered on your scooter, hold the hand brake and QUICK press the power button for 8 times to clear the total mileage to 0.
9. **Charging Indicator** - This icon will light up when you charge the scooter on the power on status.
10. **Electronic Lock** - This icon will light up when the Electronic Lock is active(See Section 4).
11. **Fault indicator**- This icon will light up when some fault happens for the scooter(See Section 8.3 Error Code).

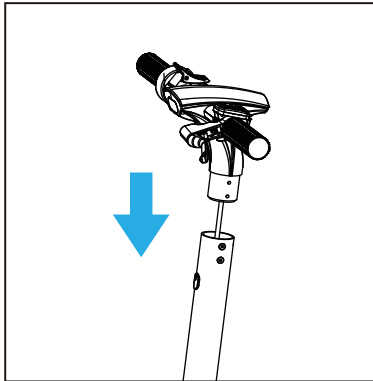
 **When the battery level is low, stop riding, turn off the scooter, and fully recharge it before riding again.**

Section 3

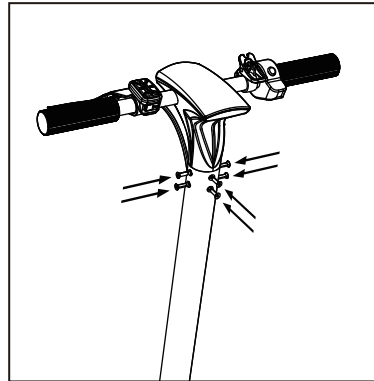
ASSEMBLY & FOLDING

Ensure the electric scooter is off before working with any of its parts. The scooter comes mostly assembled within the package. Some minor assembly is required before riding. All parts and tools are included.

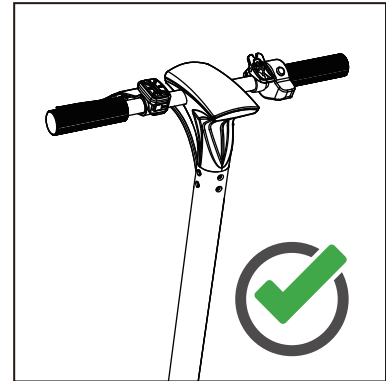
3.1 Assembling the Handlebar



Step 1



Step 2



Step 3

Step 1. Connect the power cables in the handlebar tube and the stem tube

Step 2. Then insert the handlebar tube into the stem tube, align the 6 screws holes of the handlebar tube and the stem tube

Step 3. Screw on the 6 pieces of the M5 screws separately to the holes to complete the installation

3.2 Standing, Folding & Unfolding the Scooter

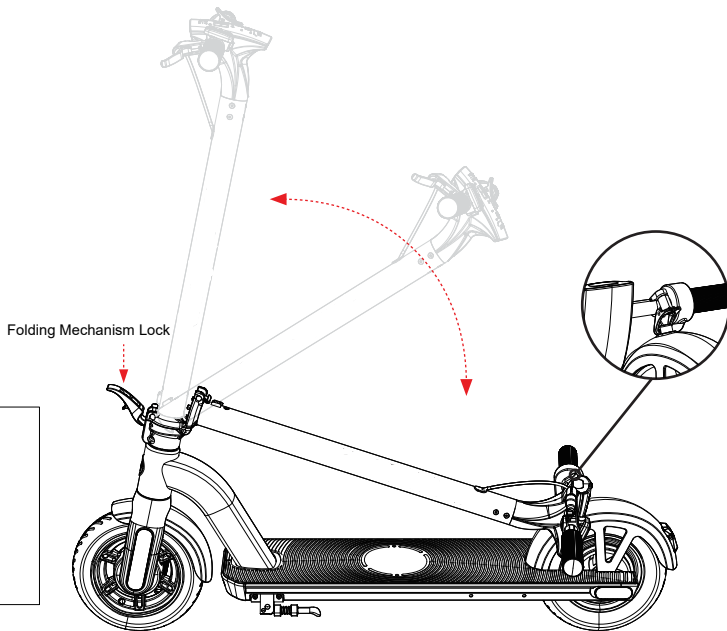
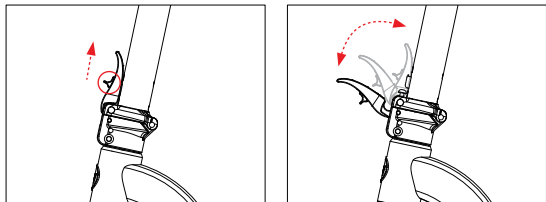
Before using the kickstand, bring the scooter to a complete stop and turn it off. Before riding the scooter again, lean the scooter off the kickstand and fold the kickstand up.

Standing

- Step 1.** Locate the kickstand on the side of the scooter's deck.
- Step 2.** Push the kickstand down and away from the scooter then carefully lean the weight of the scooter onto the kickstand .

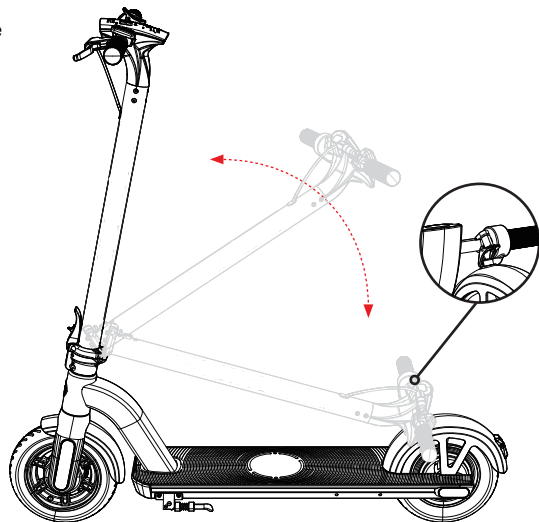
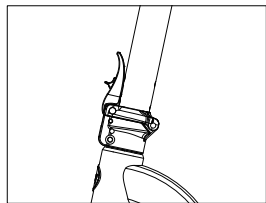
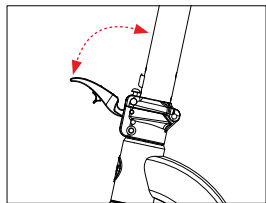
Folding

Pull up the folding mechanism lock on the stem to fold the handlebar down to the rear fender, use the rear fender hook to catch the handlebar hook, when you hear a "CLICK", the rear fender hook is hooked to the handlebar, you complete the folding step.



Unfolding

Separate the handlebar hook and the rear fender hook, and pull up the the stem up away from the rear fender, when the front stem is straightened, lock the folding mechanism lock.




⚠ Before moving, lifting, or otherwise transporting the scooter, ensure it is turned off.

3.3 Tire Inflation

You will need a pressure gauge, a standard bicycle pump, and the included tire pump extender to inflate the electric scooter front and rear tires.

- Step 1.** Ensure the scooter is powered off and stable, so it doesn't move during inflation.
- Step 2.** Visually inspect the tire for damage, scuff, or puncture marks. If the tire is damaged, **DO NOT INFLATE IT**. Contact customer service immediately.
- Step 3.** Find the valve located on the inside of the wheel and remove the cap, and connect the tire pump extender to the valve.
- Step 4.** Use a standard bicycle pump to connect the pump extender to pump air slowly.
- Step 5.** Use the pressure gauge periodically to check PSI.
- Step 6.** When the tire reaches 275KPA/40PSI/2.75BAR, stop inflating and cover the valve cap.

-  • **Any PSI marking on the tire indicates a maximum. DO NOT inflate the tire to this value, only inflate it to 40PSI as directed above.**
- **Underinflation is strongly recommended if you intend to ride outdoors in temperatures above 32 °C. Bring the scooter indoors and deflate the front tire to 40 PSI. If the PSI is too high and the tire are exposed to excessively high temperatures, riding outdoors may cause serious damage to the tire including but not limited to stretching and/or rupturing.**

Section 4

Electronic Lock Function

There is an electronic lock function on your electric scooter. The electronic lock function is off in factory default. If you want to use this function, please activate it first.

4.1 Activate Your Electronic Lock

After powered on your scooter, in a static state, press and hold the cruise button, at the same time QUICK press the power button for 6 times to enter the electronic lock setting interface, at this time, the ODO column displays --- 0, the rightmost digit is the status, 0 means the password is off, and 1 means the password is turned on, press the power button to confirm, and the setting is successful. After re-enabling the password

function, the memory restores the default password "0000". Input the first digit "0" by pressing the upshift and downshift buttons to select the number, and press the power button to confirm, then the password jump to the second digit, and so on, until the last digit is confirmed, the whole group of password will flash 3 times, and the password is accepted, the display jumps back to the ODO state.

4.2 Set Your Own Password

After starting and unlocking your scooter, while in a stationary state, press and hold the cruise control button. At the same time, QUICKLY press the power button 3 times to enter the password setting interface. The unlock icon and the password column "0---" will appear, with the first digit on the left lighting up and flashing. Press the upshift and downshift buttons to select the number you want to set as your password, then press the power button to confirm. The column will jump to the second digit, and so on, until the final digit is confirmed. Once the full password is entered, it will flash 3 times to indicate that the password setting is complete. The display will then return to the ODO state.

 **Please Remember your own password. Or take a photo to remember.**

4.3 Lock Alarm Function

After powering on your scooter, the electronic lock function becomes active.

If someone pushes your scooter and the motor rotates more than 1/2 turn, an alarm will be triggered. The display will flash, the motor will be locked, and the electronic horn will emit a "beep beep" alarm.

After three cycles of the alarm, the scooter will enter an unlocked state. If the motor is triggered again, the alarm will sound once more.

4.4 Turn off the Electronic Lock Function

If you don't want to use the Electronic lock, power on your scooter, and input the correct password, then press and hold the cruise control button, at the same time QUICK press the power button for 6 times to enter the electronic lock setting interface, at this time, the ODO column displays --- 1, the rightmost digit is the status, 0 means the password is off, and 1 means the password is turned on. Change the digit "1" to "0", and press the power button to confirm, and the setting is successful. The electronic lock is turned off.

CHARGING

5.1 Charge the Evobike LM500 PRO before using it.

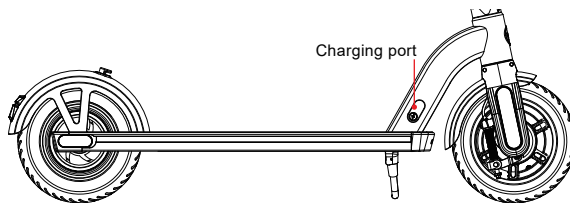
When the scooter is charging, the charger LED indicator is red. And the battery charging icon on the display will light up if the scooter is powered on. When the charger LED indicator is turn green, the charge cycle is complete. Each charge cycle from zero to full charge will take approximately 6 hours. When the battery level indicator on the display indicates that battery power is low(less than 20%), please recharge. To Recharge the electric scooter, please use the original charger.

Step 1. Make sure the scooter is powered off then locate the charging port in the neck of the deck.

Step 2. Insert the appropriate end into the charging port and then insert the other end into an outlet.

Step 3. While the scooter is charging, the charger light will turn red .

Step 4. When the scooter is fully recharged, the charger light will turn green . You may then disconnect the scooter from the charger.





⚠ DO NOT, under any circumstances, use the scooter while it is charging or connected to the charger. And make sure to charge your scooter in conditions that do not exceed 40°C or below 0°C.

🕒 The charging time is approximately 6 hours. Charging longer than that may affect battery life and/or performance. If the charger's light doesn't turn on, it may not be fully connected. Check that it is securely connected to the outlet and to the scooter.

Section 6

USAGE

We sincerely hope every operator can and will ride the Evobike LM500 PRO safely. Note the following information before attempting to ride your Evobike

-  • **Wear a approved helmet as well as other protective gear must be worn at all times.**
- **The esupports up to 120kg**
- **Before each ride, especially if you may travel a long distance, check the front tire for proper inflation, check all cables for damage, and test the brakes. Do not ride if any part of the scooter is damaged or malfunctioning.**
- **Only use the electric scooter in areas where it is allowed. Local laws may limit where you can ride the electric scooter.**
- **In compliance with UL2272 standards, power to the electric scooters motorized wheel may cut off during continuous uphill travel and/or other cases which cause the motor to overheat. If the motor overheats, this safety feature will trigger automatically. Stop riding and allow ~15 minutes before using the motor again. In general, continuous uphill travel at 20° slopes for long periods of time is not recommended.**
-  • **The electric scooter contains a 500W motor and may be classified as a motor vehicle under local laws in your area. It is your responsibility to understand and abide by any local laws restricting how or where you may ride.**

6.1 How to Ride

Assuming you have equipped suitable protective gear and that the scooter has been placed on a level surface, is charged, and does not have any issues, follow the steps below. For your safety, please read this entire section before attempting to ride.

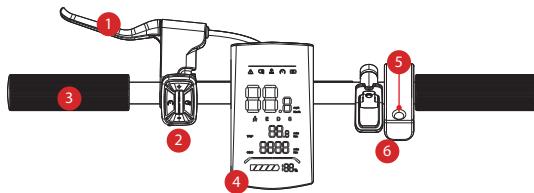
- Start your scooter by pressing the power button.

- The scooter is initially set to launch in non-zero-speed mode. To start riding, place one foot on the deck and one foot on the ground. Use your foot on the ground to push off while simultaneously pressing the accelerator to begin moving. If you want to switch the scooter to zero-speed launch mode, first power on the scooter. Then, press and hold both the upshift button (+) and downshift button (-) for 3 seconds. You will hear a “BEEP” sound, indicating the switch to zero-speed launch mode. You can switch back to non-zero-speed launch mode the same way.



In the **zero-speed launch mode**, you need not to kick the to ground to start your scooter, once you press the accelerator, the scooter will go at a certain speed, if you are not ready to go, you may be pulled over by the starting scooter and injured, **it will be VERY dangerous**. If you are not a skilled rider, this mode is not recommended.

- Cruising is as simple as press the Cruise button on the keyboard.
- Use the bell to alert pedestrians and other riders of your presence .
- Turn the headlight on/off by press the headlight switch on the handlebar.
- Switch gears between pushing assist mode and E, D, S gear by pressing upshift button(+) and downshift button(-). Each gear has different speed. The maximum speed of pushing assist mode is 5KM/H, Gear E is 15KM/H, Gear D is 25KM/H and Gear S is 30KM/H.
However the default settings are: E: 10KM/H, D: 15KM/H, S: 20KM/H
- To slow down, gradually ease off the throttle and apply pressure to the hand brake.
- To stop, apply full pressure to the hand brake and release the accelerator until the scooter stops completely.



- | | |
|-------------------|-----------------|
| 1. Handbrake | 4. Display |
| 2. Horn | 5. Power Button |
| 3. Handlebar grip | 6. Accelerator |



- **When the headlight is turned on, the taillight and pedal light will also light up for increased visibility.**
- **Gear speeds are approximate. Actual speed may vary due to terrain, rider weight, and/or other factors.**

Step-by-Step

- Step 1.** Carefully step on with one foot and stand upright but relaxed. Grab both handlebar grips.
- Step 2.** Keep one foot on the ground and kick off to begin accelerating manually. Use the handles to steer.
- Step 3.** To stop, release the throttle and use the handbrake to gradually coast to a stop then step off the scooter one foot at a time. Be extra cautious when dismounting for the first time. When using the brake, the taillight will blink automatically.
- Step 4.** To turn the scooter off, remain at a complete stop and press the power button. The display and lights will turn off as the scooter powers off.

Cruise Mode


- Step 1.** Accelerate to reach the desired speed.
- Step 2.** Press the Cruise button to enter the Cruise mode. Press the upshift button(+) and downshift button(-) to adjust the cruise speed.
- Step 3.** Use the throttle or the brake to turn off Cruise Control.

6.2 Practicing Guidelines

Practice until you are comfortable with using all of the scooter's functions. See the following tips below.

- Wear casual clothing and flat, closed-toe shoes to maintain your flexibility and stability.
- Practice until you can easily get on, move forward, turn, stop, and dismount with ease.
- Make sure the pavement is even. Do not operate on a slope until you are experienced.
- The electric scooter is designed for relatively smooth, flat terrain. When driving on uneven terrain, slow down.
- Until you are comfortable using the scooter, avoid operating in places with pedestrians or obstacles.

MAINTENANCE

-  • **Do not perform any maintenance when the power is on, or the battery is charging. Do not let water or liquids get into the scooter as this will cause permanent damage to the electronic components.**
- **After each ride, especially if you have traveled a long distance, inspect your scooter.**
 1. Check the front tire for proper inflation and cracks on the walls of the tire. Proper inflation is 40PSI. Keeping the tires properly maintained will help prevent flats and damage.
For inflation instructions, see Section 3.3.
 2. Inspect the brake to make sure it's working properly.
 3. Make sure all screws and bolts are taut and properly fastened to prevent injury and unnecessary wear and tear.

 **For questions, concerns, or part replacement, please contact customer service.**

7.1 Cleaning

The electric scooter may need cleaning after riding for extended periods of time. See the following tips below.

- Completely power off the scooter before cleaning.
- Use dry, non-abrasive cloth to gently remove debris or dust.
- If needed, dampen cloth with water or a mild cleaner and wipe off the scooter.
- Never use alcohol or ammonia-based cleaning solutions.
- Never spray liquid directly onto any part of the scooter.
- Do not allow any type of liquid to come in contact with the scooter's electronic parts.

7.2 Storage

- Before storing the scooter, fully charge it to prevent battery over-discharge due to non-use.
- If storing the scooter for more than one month, discharge and recharge the battery every three months.
- Cover the scooter to protect it from dust. Do not store in a dusty environment as, with all electronic devices, this may cause damage over time.
- DO NOT store the scooter in an unheated garage, shed, or other location with extreme temperature fluctuations or ranges. Store only in environments where temperatures will be stable and kept between -20°C to 60°C.

7.3 Transportation

Before moving, lifting, or otherwise transporting the scooter, turn it off. Fold the scooter (see Section 3.2 for instructions) and pull the scooter along as you move it if needed.



When lifting the entire scooter, please note that the electric scooter weighs approximately 18.5kg. If you are unsure of your ability to lift this weight, please use both hands or have a second person help.

Section 8

SPECIFICATIONS & BUTTON FUNCTIONS

8.1 Specifications

Top speed	20km/h / 30km/h
Motor power	Rated 500W
Distance per charge	About 30-40KM)
Weight Range Up To	120Kg
Battery Capacity	36V 10.4Ah
Battery Charger	DC42V 2A
Charge Time	About 5- 6 Hours
Charger Power requirement	AC100-240V~50/60Hz 2.5A Max.
Tire Size	10 inch inflated tires

8.2 Button functions

Button	Operations	Functions
Power button	Short press/Long press for 2 seconds	Turn on/ Turn off the scooter.
Cruise button	Short press 1 time	Enter the cruise mode by the current speed.
+ Upshift button	Press 1 time	①Switch the gear from pushing assist mode to E, D, and S. ②Adjust the digit from 0 to 9 when you enter the electronic lock password. ③Add the speed in Cruise mode.
- Downshift button	Press 1 time	①Switch the gear from S, D, E, and pushing assist mode. ②Adjust the digit from 9 to 0 when you enter the electronic lock password. ③Decrease the speed in Cruise mode.
Horn	Press long or short	Make a beeping sound to alert pedestrians and other riders of your presence .

8.3 Error code

Error Code	E0: Communication failure
	E1: Accelerator failure
	E2: Controller Overvoltage fault
	E3: Controller Undervoltage fault
	E4: Controller Overcurrent fault
	E5: Motor Hall failure
	E6: Motor Stall fault
	E7: Phase failure
	E8: Brake hall failure
	E9: Motor High Temperature failure
E10: Battery Communication failure	

Section 9

WARRANTY

We provide 12-month or 6-month warranty for different parts, please refer to the warranty policy

Contact information

Nordbutiker AB
Gösvägen 28
76141 Norrtälje, Sweden
email: info@evobike.se



Made in China