

User manual

The owner's manual contains important assembly, use and maintenance instructions. The vehicle must be assembled by an adult who has read and understood the instructions in this manual.

Keep the packaging away from children and dispose of all packaging before use. Keep the manual handy for future reference.

Model: Mercedes-Benz G63 AMG 6x6

Performance Standard: GB 19865-2005

GB 6675.1-2014 GB 6675.2-2014

GB 6675.3-2014 GB 6675.4-2014



Catalogue

Instruction before Use

Specification

Safety and Points for Attention

List of Critical Components

Exploded View

Assembly Order Diagram

The function Diagram and Operation

Charge Model

Simple Trouble Shooting

Instruction before Use

Dear customers, Please read this manual carefully before you use the products. Because it can tell you the correct method of installation and operating procedures to avoid damaging the products or hurting your children caused by incorrect operating procedures and without understanding safety knowledge. Please keep this instruction for future use and place it in easily accessible place.

Specification

| | | | |
|------------------------------|---------------------------------|---------------------------------------|------------------------------|
| The external size of vehicle | 149.5x85.8x76.5cm | The battery model | 12V7AHx2 |
| Applicable age | 37-95 months | Power supply modes | Vehicle-mounted/ Portable |
| The limit load | 50kg | The specification for battery charger | 12V1000MA |
| Running speed | 2-6km/h | Normal Charging time | 8-12 hours |
| Fuse size | 15A(20A) | Regular life of battery | About 280 times |
| Driving motor | 12V390#20000RPMx2 (6 motors) | Steering motor | 12V20W x 1 |
| Remote control battery | No.7 dry battery x2 | | |

Safety and Points for Attention:

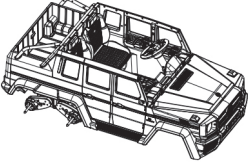
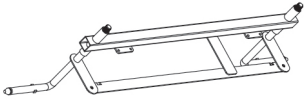



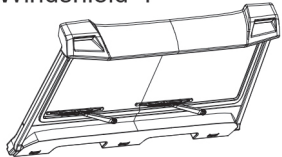






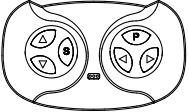

1. In order to prevent accidents, please tell the following safety rules to your children and their playmates, and make sure they have understood.
2. The vehicle assembly should be completed by an adult according to the steps the manual describes, and confirm assembly correct and in place.
3. In order to ensure the children's safety, after opening packaging, please clean up the packaging promptly to store in the place where children cannot reach!
4. In order to avoid injury of small parts, keep the small parts away from children under 3 years old!
5. When driving bassinet, it must be looked after or guided by an adult or parents, and caregivers shouldn't leave and make sure your children are always within your caring range.
6. The vehicle isn't vehicle, but the bassinet. So it is banned running on roads or other roads for vehicles traveling and the place for pedestrians walking.
7. Avoid children traveling in a dark environment. Prohibit running around the place where there are obstructions, which may cause striking or damage;
8. While driving a vehicle, you must wear a safety helmet, put on shoes and fasten the seat belt.
9. Note that the vehicle is suitable for running on hard and flat road. In order to ensure safety, prohibit traveling in the non-secure environment, such as beside gutter, small rivers, swimming pool, lawns, slopes, uneven roads and other non-secure places.
10. It is strictly prohibited insolation in the blazing sun, and don't use the product outdoors in rainy and snowy weather.
11. When shift, make sure the vehicle has been completely stopped.
12. Use this product according to the specifications of the dead weight capacity and the age range. It is strictly prohibited to use for overloading and overage!
13. Don't change the structure of the vehicle and wiring systems arbitrarily.
14. Don't use the vehicle fuse with different specifications.
15. Eliminate direct short circuit of circuit, and prevent the danger of fire and burning.
16. Check whether the wiring plug of the vehicle is loose, aging and falling and whether the wires, electrical appliance, shell, steering systems, fasteners, etc. are normal(completed by an adult) regularly (recommend check once every two weeks).
17. Don't wash the vehicle with water directly or rain the vehicle, and prevent water from damaging the electrical appliance and circuit.
18. The battery and charger of the vehicle are not individual toys, and ban children from playing the battery and charger.
19. In order to avoid accidents, ensure that the vehicle is safe before driving.
20. Please don't let any children approach the moving vehicles. Don't let the children touch the rotating wheels.
21. Don't use the batteries by mixing old batteries with new batteries. After dry battery is exhausted, the battery should be removed from battery holders timely, and pay attention to protect the environment and don't throw it away.
22. When the improper operations of overload or locked-rotor or short circuit, etc. self-resetting fuse will cut off the power for 10-20 seconds automatically, and then connect the power automatically; when meeting improper operations, glass tube fuse will blow the fuse automatically, and after asking professional maintenance personnel to repair, replace the fuse. The vehicle uses the 15A -20A fuse.
23. Default of sealed lead-acid battery is used the different types of batteries or battery can not mix between the old and the new. Charge must by adult operation, must use match the specifications of the charger.(Attention: Charge is not toys, prohibit children play with the charger directly.)

24. When this vehicle stop using for a long time, please pull up the red positive cable on the battery, put the switch in the position of "off" to ensure the safety circuit. In order to prolong the useful life of battery, please charge at least once every three months during the outage for a long time.

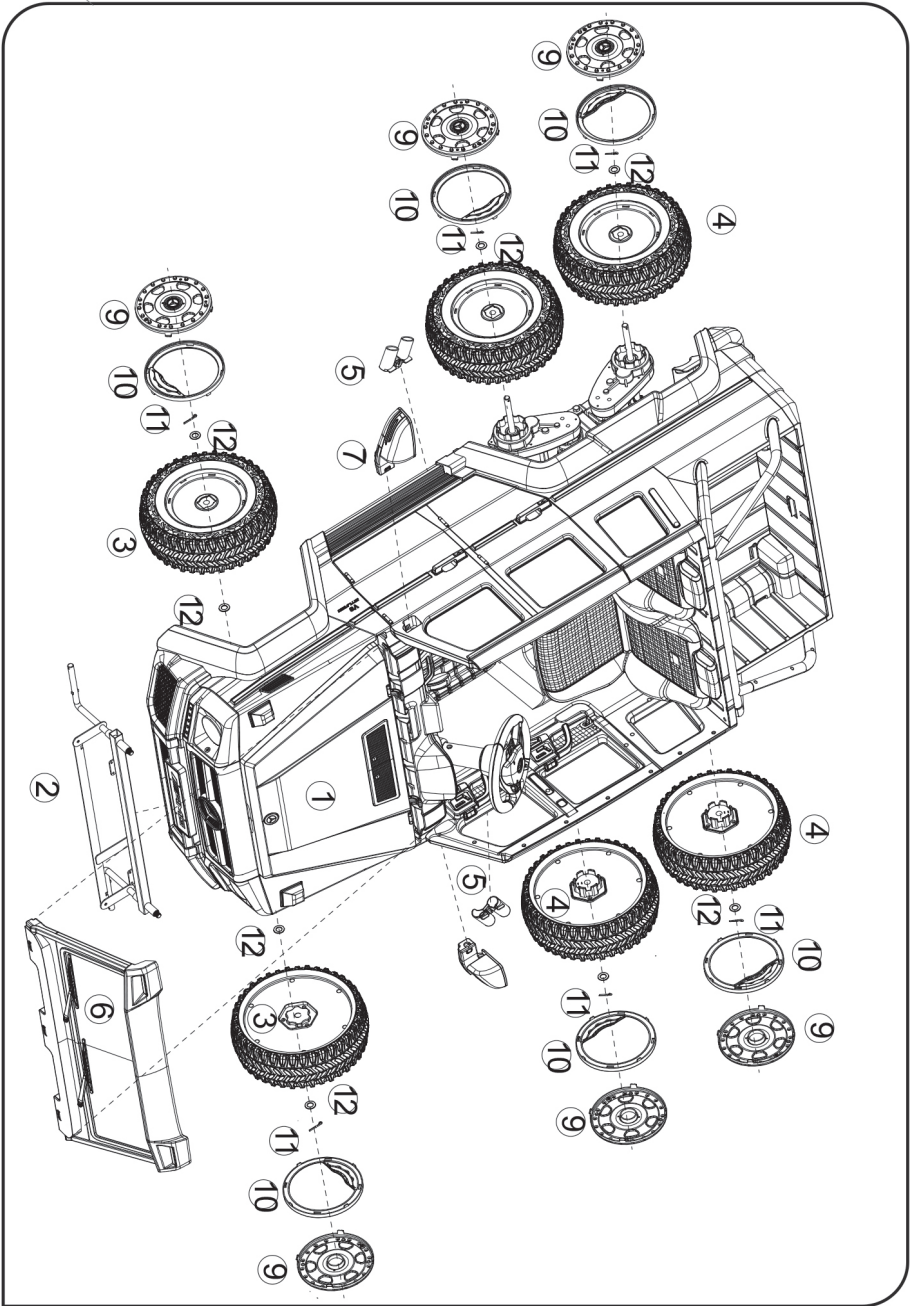
25. Special Tips: after the round plug by battery charger outputting voltage into the charging hole on the vehicle, the vehicle will cut off the power automatically. The vehicle doesn't work, you must wait for unplugging round plug on the charger off the charging hole, and then the vehicle power supply will return to normal.

26. The packaging components of the vehicle have important information. Please do not throw them away and save them for future use.

List of Critical Components

| | | |
|---|---|---|
| <p>Car body*1</p>  <p>1</p> | <p>Direction Instrument*1</p>  <p>2</p> | <p>Front Wheel*2</p>  <p>3</p> |
| <p>Rear Wheel*4</p>  <p>4</p> | <p>Exhaust Pipe*1</p>  <p>5</p> | <p>Windshield*1</p>  <p>6</p> |
| <p>Mirror*1</p>  <p>7</p> | <p>Large flat head self tapping screw*2</p>  <p>8</p> | <p>Decorative Wheel Cover*6</p>  <p>9</p> |
| <p>Brake Pads*6</p>  <p>10</p> | <p>Cotter Pin*6</p>  <p>11</p> | <p>12mm Washer*8</p>  <p>12</p> |
| <p>Remote Control</p>  <p>13</p> | <p>Charger</p>  <p>14</p> | |

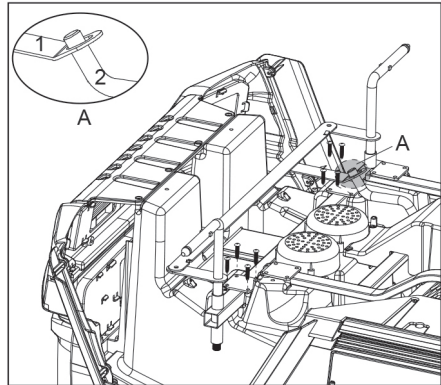
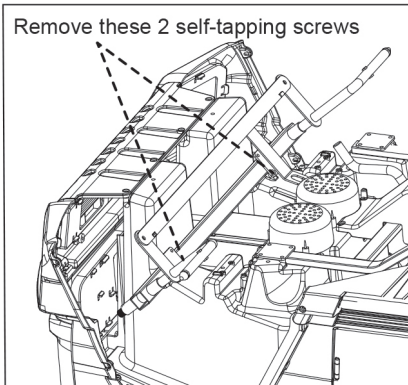
Exploded View



Assembly Process Diagram

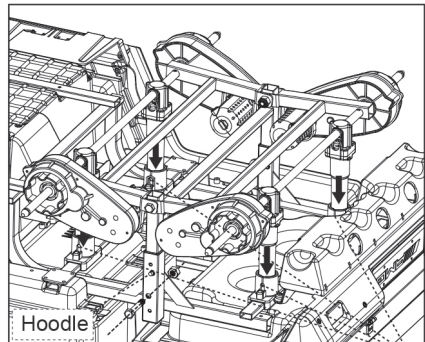
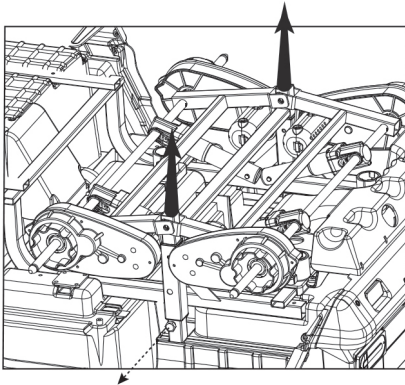
- Before using, the vehicle must be assembled by an adult. It takes about 20 minutes to assemble the product.
- Small parts are likely to be swallowed into throat, and prohibit children from touching and playing
- Before installation, please check the number of all parts, and packaging bags of product should be disposed. Prohibit children from playing with it, which may result in the danger of suffocation!

1. Front Axle Assembly



As show in pictures, put 1 to 2, use 8 pieces self-tapping screws fix it.

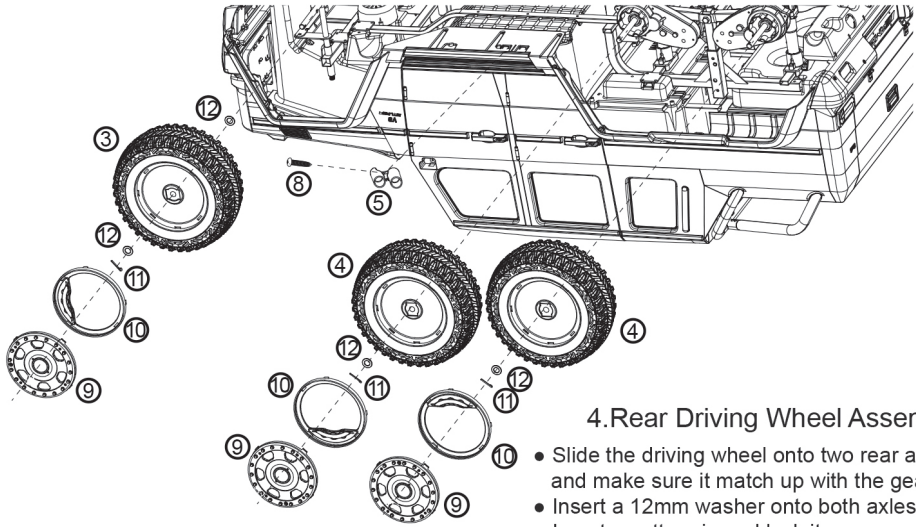
2. Suspension Component Assembly



Suspension Hoodle

- Unscrew the Hexagonal nut on left and right side and pull out it.
- Pull the suspension component up slowly until the left and right 2 hoodles up.
- As show in picture, insert 2 hex screws to square tube hole on left and right side, use 2 pieces lock nut fix it.
- As show in picture, insert shock tube to shock hole respectively, make sure it is in right way.

Assembly Process Diagram



4. Rear Driving Wheel Assembly

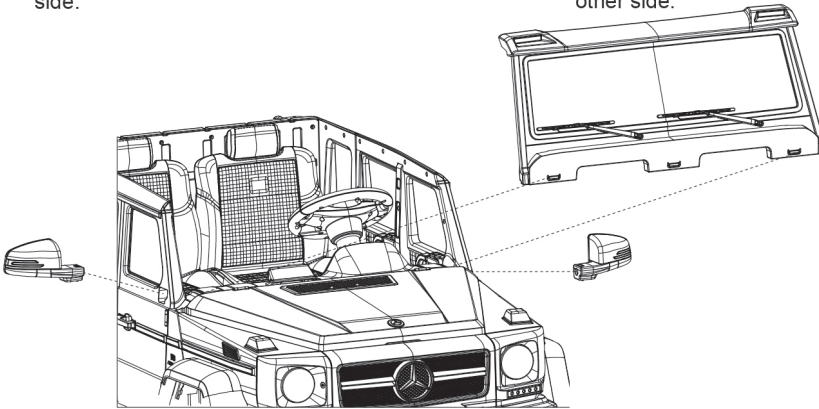
- Slide the driving wheel onto two rear axles and make sure it match up with the gear box.
- Insert a 12mm washer onto both axles.
- Insert a cotter pin and lock it.
- Fit a bake pads and decorative wheel cover.
- Repeat above steps for rear wheel on the other side.

3. Front Wheel Assembly

- Fit a 12mm washer onto the axle as shown.
- Fit a wheel onto the axle, and make sure the wheel match up with the washer.
- Fit a 12mm washer onto the axle.
- Insert a cotter pin and lock it.
- Fit a bake pads and decorative wheel cover.
- Repeat above steps for front wheel on the other side.

5. Exhaust Pipe Assembly

- Insert the exhaust pipe to car body as shown, use 1 piece 4mm self-tapping screw fix it.
- Repeat above steps for exhaust pipe on the other side.



6. Windshield Assembly

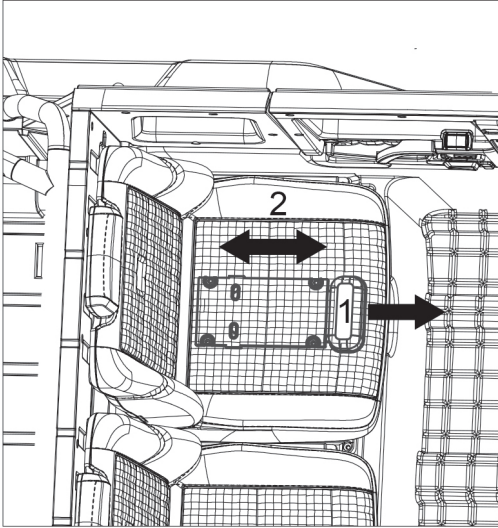
- Fit the windshield to car body and press down, make sure it will be in the right way.

7. Mirror Assembly

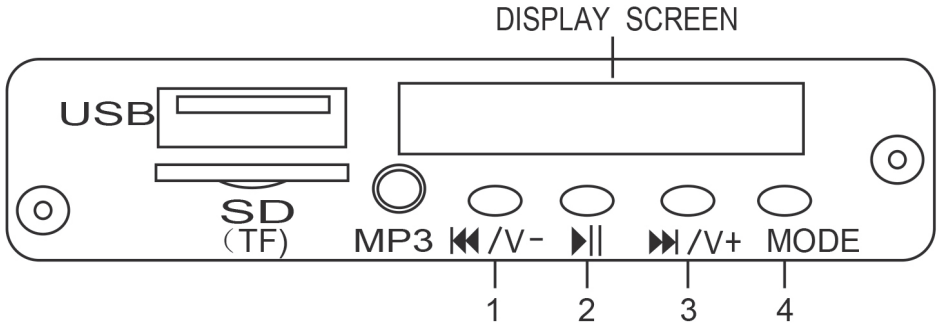
- Fit the mirror to the car body.
- Note: Distinguish left and right mirrors for assembly.

Function Diagram and Operation Method

(The product is prohibited for children less than 36 months)



Show in the picture, pull out the handle under the seat, move to a good position for baby driving.



MP3, USB SD Player Function

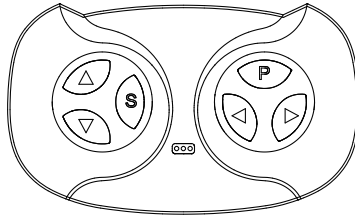
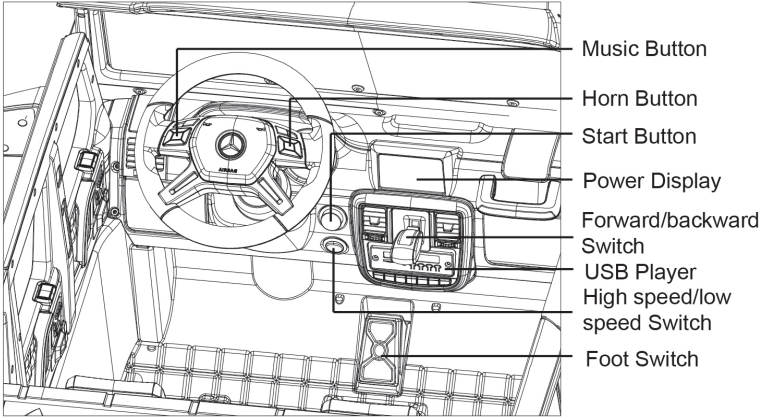
Button 1: Press for once to skip to the last song; Press and hold for 3 seconds to lower the volume.

Button 2: Press for once to pause the music; Press again to play.

Button 3: Press for once to skip to the next song; Press and hold for 3 seconds to raise the volume.

Button 4: Display the current mode: USB/ SD/Mp3 in the screen.

Main Function:



2.4G Remote Control Instructions

Step 1: The Remote Controller is loaded with two AAA batteries.

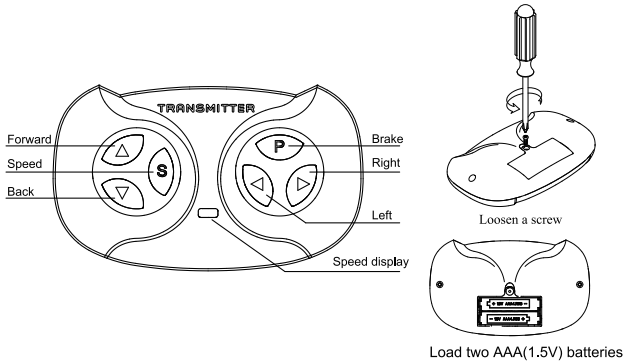
Step 2: Turn off the power switch on the vehicle.

Step 3: Hold down "▲" & "▼" keys for 3 seconds start mat ch code, The first LED flicker , Now turn on the vehicle power switch

The red indicator lights stop flashing, and the code is success ful.

Keys caption : "S"set up speed, 1 led lit up is low speed , 2 leds lit up is medium speed , 3 leds lit up is high speed,

"▲" Forward , "▼" Back, "◀" Left, "▶" Right, Press "P" key hold the brake, All LED flicker



WARNING! Not for children under 3 years. Small parts. Choking hazard

- Load two AAA (1.5V) batteries according to the diagram.
- Non-rechargeable batteries are not to be recharged.
- Different types of batteries or new and used batteries are not to be mixed.
- Batteries are to be inserted with the correct polarity.
- Exhausted batteries are to be removed from the toy.
- The supply terminals are not to be short-circuited.
- The packaging must be retained since it contains important information.

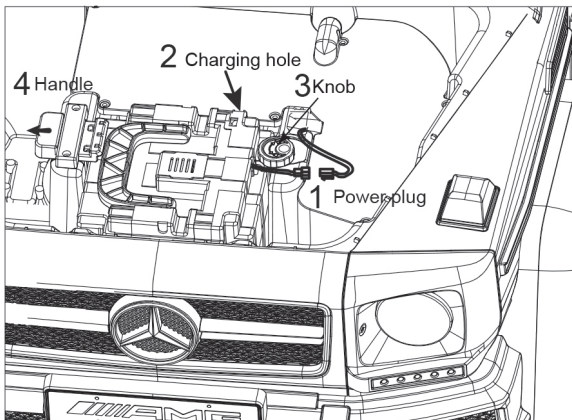
4. Precautions

- A. The remote control has energy-saving settings, a time when not in use, shut down automatically, then use the time and return to normal state;
- B. Frequency of keys during the initial use and replace the batteries need to do this once;
- C. Make sure the remote is not damp, wet, otherwise it will affect the performance of or inability to use;
- D. Note that the battery polarity when installing the battery;
- E. Don't use the new and old battery at same time;
- F. When the remote distance is short, please change the battery;
- G. If not use the remote control for a long time, please take off the battery;
- H. Be careful using the remote control, to prevent the break;
- I. Please recycle used batteries, so as not to pollute the environment.

Charge Mode

- Do not reverse the battery.
- Please check the battery charger before charging, whether battery and plugs are damaged. If any damage is found, you should stop using until the repair is done and then you can use.
- it is normal that the battery charger is with thermal phenomenon during charging, but when the temperature is too high, you should check timely whether the charge current is too large or there is internal short circuit in the battery.
- Use press plate to fix the battery charger. If the car is overturned, the battery is likely to fall and hurt children.
- If the product is collected or kept for a long time without using, you must first charge it fully and recharge it once a month to ensure the battery life.
- The charger and battery are not toys, and it doesn't allow children to play.

- When charging, you must turn off the power switch.
- for the first use, the recommended charging time is 4-6 hours, but not more than 10 hours.
- When the vehicle is significantly slower than normal speed, it indicates that the battery power is low, please charge timely.
- After using, please charge for 8-12 hours, but not more than 20 hours.

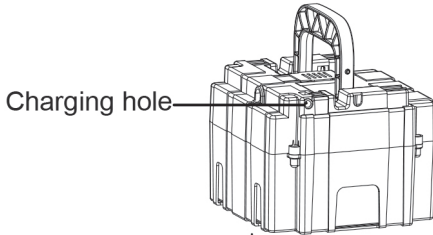


Method 1: Charging on car

Disconnect the power plug on battery box, insert a port of charger into the charging hole locate 2 in the picture. Connect the power plug after charging.

Method 2: Portable battery charger

As show in picture 1, disconnect the power plug on battery box, rotate the knob and pull out the handle, take out the battery box, insert a port of charger into the charging hole and take the battery box to anywhere charge if you want. Put in the right position and connect the power plug after charging.



Simple Trouble shooting

(1) The vehicle cannot run:

1. Check whether the power plug is plugged in securely;
2. Whether the fuse cuts off the power automatically caused by overloading or locked-rotor or short circuit, and identify the reason or replace the fuse.
3. Whether the round plug by charger output voltage is plugged into the charging hole of the car, if you insert it into the charging hole, the power of vehicle will cut off the power automatically. Pull out the rear, it will return to normal.
4. Whether the manual button or switch is stuck;
5. Whether the driven wheels are stuck by debris;

(2) The slow speed of car:

1. Whether the battery power is low or it needs charging timely;
2. Whether the vehicle is overloaded;
3. Whether the charger is damaged, causing the battery not to be charged with electricity;
4. Whether there is debris stuck between the wheels and the wheel axle;

(3) The car cannot be charged:

1. Whether the charger is burned? Normally, the charger should be with thermal phenomena when charging;
2. Whether the battery has been damaged, with deformation, leakage and other phenomena, it should be replaced timely;
3. Whether the connections between charger and battery and switch plug are loose? They must be connected firmly.

Problem: Travel time of vehicle is very short.

Cause of the problem: the battery is not charged enough

Charging time of battery is not enough. Please charge timely after using, and charge it at least once a month. The recommended charging time is 8-12 hours, not exceeding 20 hours.

Cause of the problem: the battery is aging

Battery is vulnerable consumable, and its useful life depends on the timely or correct charging and maintenance operations. So the useful life of battery is 1-3 years, if it exceeds the useful life, propose to replace with new battery.

Problem: there is thermal phenomenon on the charger when charging.

It is normal phenomenon. But if the temperature is too high, you should check whether the charging power supply is too large or there is internal short circuit in the battery.